



Operating Manual



Register
your product online at
www.vistalab.com/register-your-pipette
or scan QR code



or click here

Table of Contents

Safety Instructions	3
Getting Started	4
Component Diagram + Materials.....	4
Package Contents.....	5
Terms and Definitions.....	5
Operation and Use	6
Shipping Mode.....	6
Sleep Mode.....	6
Pipetting speed control.....	6
Wall Mount.....	6
Conventional Pipetting Mode.....	7
Aliquot Mode.....	8
Intelligent Measuring System.....	9
LED Indicators.....	9
Technical Specifications	10
Troubleshooting	11
Maintenance	12
Cleaning / Decontaminating.....	12
Autoclaving.....	12
Replacing Membrane Filter.....	12
Replacing Nozzle Insert.....	12
Recharging Battery.....	13
Replacing Battery.....	13
Calibration	14
Verification.....	14
In-lab Adjustment.....	14
Warranty	15
Send-in Service.....	15
Ordering Information	16
Transport, Storage and Disposal	17
Declaration of Conformity	18

Safety Instructions

Read this operating manual completely before using the device for the first time. Also, observe the instructions for use of the accessories. This instrument may sometimes be used with hazardous materials, operations, and equipment. It is beyond the scope of this manual to address all the potential safety risks associated with its use in such applications. It is the responsibility of the user of this instrument to consult and establish appropriate safety and health practices and determine the applicability of regulatory limitations prior to use.

ali-Q is an aliquoting pipet controller designed for aspirating and dispensing aqueous solutions with plastic or glass serological pipettes in 0.1 to 100 mL volumes. It is intended for laboratory use. Any use of this instrument in a medical or IVD setting is the sole responsibility of the user.

! Please read the following carefully!

1. Every user must read and understand this operating manual before operation.
2. Follow general instructions for hazard prevention and safety instructions; e.g., wear protective clothing, eye protection and gloves.
3. Observe all specifications provided by reagent manufacturers.
4. Never use the instrument in an atmosphere with a danger of explosion. Highly flammable liquids must not be pipetted.
5. Only use the instrument for pipetting liquids, with strict regard to the defined limitations of use. If in doubt, contact VistaLab.
6. Always use the instrument in such a way that neither the user nor any other person is endangered. Avoid splashes. Only use suitable vessels.
7. Never use force on the instrument.
8. Use only VistaLab accessories and spare parts. See Ordering Information on pg 18. Do not attempt to make any technical alterations. Do not dismantle the instrument any further than is described in the operating manual!
9. Always check the instrument for visible damage before use. If there is a sign of a potential malfunction, immediately stop pipetting. Consult the 'Troubleshooting' section of this manual or contact VistaLab if needed.
10. Only the original Power supply can be used for recharging of the Lithium Ion battery. Do not replace with non-rechargeable batteries or rechargeable batteries of other manufacturers.
11. The Power supply must be protected against moisture and must be used only for this instrument.
12. Only authorized service personnel may service the instrument. Unauthorized repair or service may void the units' warranty
13. DO NOT AUTOCLAVE ali-Q. Only approved parts and accessories may be removed from unit for autoclaving. See pg. 12, Cleaning / Decontaminating.
14. WARNING! Improper use of the instrument or the battery (short-circuit, mechanical damage, overheating etc.) may cause the explosion of the battery.

Operating Conditions:

- o Operating Temp: 15°C to 40°C (59°F to 104°F)
- o Storage Temp: -20°C to + 50°C (-4°F to +122°F)
- o Altitude up to 2000 m
- o Relative Humidity: 10% – 95%, non-condensing
- o Atmospheric Pressure: 70 – 106 kPa (525 – 795 mmHg)
- o Vapor Pressure up to max. 500 mbar. Aspirate slowly above 300 mbar, to prevent liquid boiling
- o Density up to 9.0 g/cm³

ali-Q Body Chemical Compatibility for cleaning and decontaminating:

Water, diluted ethanol or isopropanol. For more information on chemical compatibility, see the support area of our website, www.vistalab.com/support

Safety Compliance:

See Declaration of Conformity at end of manual

EN 61010-1 General Safety Requirements

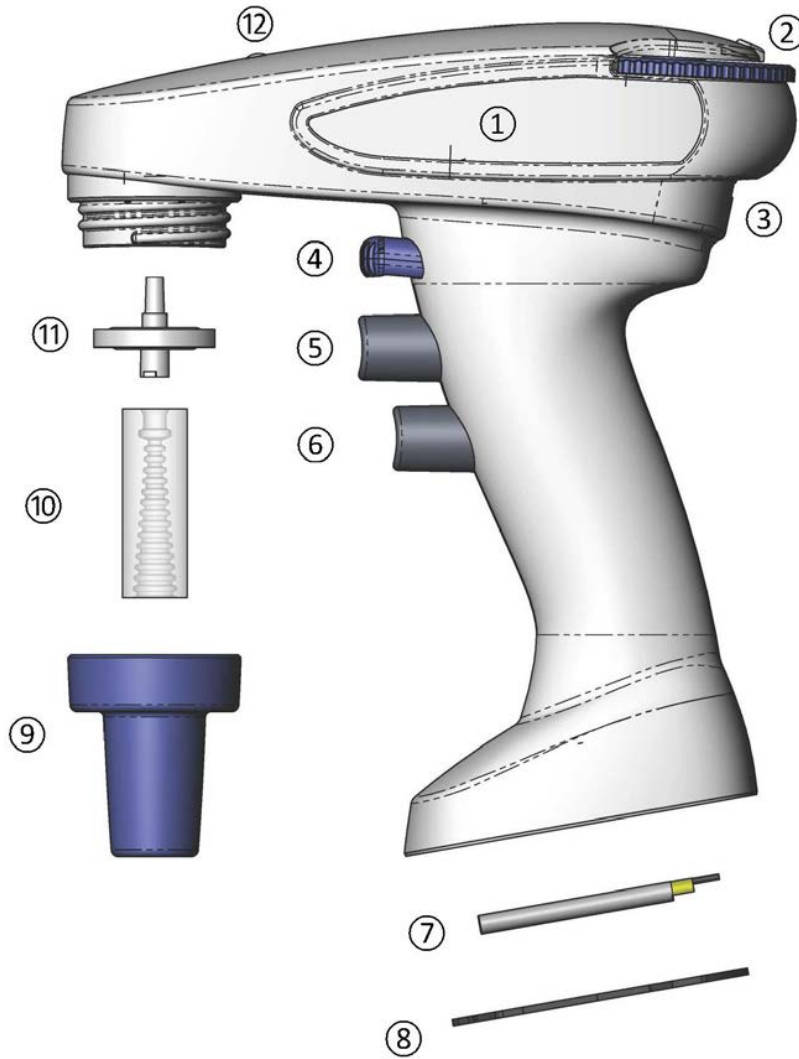
EN 61326 EMC Requirements

CSA C22.2, No. 61010.1

UL 31111-1

<- Back to T.O.C.

Getting Started



Materials Chart

	<u>Description</u>	<u>Material</u>
1	Body/ Main Housing	Nylon
2	Aliquot volume-set dial	Nylon
3	Charging port, Micro USB	N/A
4	Aliquot button	Nylon
5	Aspirate button	Nylon
6	Dispense button	Nylon
7	Battery, Lithium ion	Lithium Polymer
8	Battery compartment cover	Nylon
9	Nozzle Cover	Nylon
10	Nozzle Insert	Silicone
11	Membrane Filter, 0.45 µm	Polypropylene
12	LED Indicator	N/A

Package Contents:

- ali-Q pipet controller
- Power supply (w/ universal outlet adapters)
- Micro USB charging cord
- Wobble-not™ serological pipet samples (1 per size: 10 mL, 25 mL, 50 mL)
- 1 Wall Mount
- 1 Replacement membrane filter
- Quick Reference Guide + Safety Sheet
- Certificate of Calibration

Terms and Definitions:

Aliquot – (noun) A portion of a total amount of a solution or suspension; (verb) To separate a volume of solution or suspension into aliquots.

Aspirate - to fill with liquid

Dispense - to eject liquid

Serological Pipet (pipet) - disposable glass or plastic tube with volume graduations used to aspirate and dispense liquid. Sometimes spelled 'pipette'.

Accuracy - How close the measured volume is to the target volume

$$Accuracy (\%) = \frac{(Target\ Volume - Measured\ Volume)}{Target\ Volume} \times 100$$

Precision (CV%) - How close measurements (aliquots) are to each other; independent of the target volume

$$Coefficient\ of\ Variation\ (\%) = \frac{Standard\ Deviation}{Mean} \times 100$$

Performance - Another way of referring to the unit's accuracy and precision.

<- Back to T.O.C.

Operation and Use

Shipping Mode:

ali-Q is shipped from the factory in **Shipping** mode for safety and to preserve battery life. When you first take your ali-Q out of the box, you must wake it out of shipping mode by pressing the **aliquot button** with the unit in the upright position.

To put the ali-Q back into Shipping mode, turn the unit completely upside down and press and hold the **aliquot button**. Shipping mode should only be used when shipping or transporting ali-Q.

Sleep Mode:

ali-Q automatically goes into **Sleep** mode to preserve battery life after being motionless for 10 seconds. The LED will blink **RED** when entering sleep mode. Once the pipette is picked up or moved, it will automatically wake itself up, and LED will blink **GREEN**

Pipetting speed control: In Conventional Pipetting Mode (see next page), the speed that the ali-Q aspirates and dispenses liquid is controlled by the touch-sensitive aspirate and dispense buttons. The amount of force used to push on the buttons determines the speed that the liquid enters or exits the pipet.

↑ BUTTON FORCE = ↑ SPEED

Wall Mount: ali-Q may be stored in the wall mount to avoid damage from accidental drops and chemical spills (and save precious bench space!). ali-Q may also be placed in wall mount with any size pipet installed. Wall mount will firmly adhere to any **smooth, clean, non-painted** surface, such as the inside of a hood, using the 3M Command strips included. Clean the surface with alcohol before applying the wall mount. Remove the stickers on the adhesive backs and immediately press onto surface and keep applying moderate pressure for about 30 seconds. DO NOT place ali-Q into wall mount for about 30 minutes, to allow adhesive to set.

<- Back to T.O.C.

Conventional Pipetting Mode:

1 Attach serological pipet - Hold the pipet as near to its upper end as possible, and carefully insert it into the nozzle until it fits tightly. **NOTE: ali-Q is compatible with all brands and sizes of pipets!**

WARNING!

Using excessive force when inserting pipets risks breakage and injury. If you are having difficulty inserting pipets fully, try using VistaLab Wobble-not low insertion force pipets.

2 Aspirate liquid - Immerse the pipet's tip into the liquid. Press and hold the gray aspirate button and fill the pipet so that the meniscus is above the volume graduation desired. Then press the bottom gray dispense button until bottom of meniscus is at the desired volume graduation.

ATTENTION!

Do not fill the pipet over the max volume! Severe damage can occur if any liquid enters ali-Q! Decrease pressure on aspirate button when reaching max volume to slow down aspiration.



NOTE:

The motor will activate at seemingly random times when pressing the aspirate or dispense buttons.

Don't worry. It's normal!

For more information on ali-Q's **Intelligent Measuring System**, see pg. 9.

3 Dispense liquid - Carefully position the tip of the full pipet over the receiving vessel. Press and hold the gray dispense button until meniscus reaches desired volume graduation or when pipet is completely empty.

ATTENTION!

NEVER invert pipet or lay on bench when filled with liquid.



Scan QR code or click to watch ali-Q video

Aliquot Mode:

- 1 **Attach pipet.**
- 2 **Set the aliquot volume-set dial** - Turn the dial so that the arrow points to the volume you wish to aliquot.



- 3 **Aspirate** - Immerse the pipet tip into the liquid. Press and hold the aspirate button and fill the pipet. Be sure to aspirate enough liquid to dispense as many aliquots as you will need.
Ex: If you need to dispense 10 aliquots of 2 mL, you will need to aspirate at least 20 mL of liquid.
- 4 **Aliquot** - Carefully position the tip of the full pipet over the first receiving vessel. Press and hold the purple aliquot button and the LED turns solid **GREEN**. Hold button until green LED turns off and motor turns on. You will feel and hear the motor. Then, carefully transfer to the next vessel and repeat for each aliquot.

NOTE: If you release the aliquot button too soon, i.e. before the full aliquot volume has dispensed, the LED will blink **RED** and you will hear an "alert" sound. The aliquot did not dispense fully/properly, and will not be accurate. Re-do the aliquot.

NOTE: Discard first aliquot for optimal precision.



Intelligent Measuring System:

ali-Q **aliquot mode** utilizes a state-of-the art measuring system that incorporates information and feedback from multiple sensors to give real-time feedback and parameter adjustment for different variables that affect the accuracy and precision when in **aliquot mode**.

- Varying pipet angle: One of the most useful (and ergonomic!) features of the ali-Q is its ability to adjust the dispensed aliquots for varying pipet angles. This is especially useful in a hood, where space and maneuverability is limited. Whether you hold the pipette completely vertical or tilted, you can be confident that performance will not be affected.
- Varying brands/sizes serological pipets: Every brand of pipet has different sizes and geometries. These geometric differences contribute to changes in the physical characteristics of the system. ali-Q can sense the effect of these differences and will automatically compensate accordingly, to optimize performance.

NOTE: Discard first aliquot for optimal precision.

LED Indicators:

When charger is disconnected:

<u>LED</u>	<u>Status</u>
OFF	Battery charge is 20% or more.
RED blink (slow)	Max. 2 hours battery remaining. Charge recommended.
RED blink (fast)	Battery completely dead. Unit will not function until battery is charged.

When charger is connected:

<u>LED</u>	<u>Status</u>
ORANGE	Battery is recharging.
GREEN	Battery is fully charged. Remove charger.

NOTE:

- ali-Q can still be used when connected to charger
- If LED does not light up during charging, see Troubleshooting section

<- Back to T.O.C.

Technical Specifications

Accuracy and Precision:

Conventional pipetting mode:

Accuracy and precision (CV%) is determined by the graduations on the serological pipet used (typically $\pm 2\%$, see manuf. spec) as well as the user's ability to consistently eyeball and control the liquid meniscus.

Aliquot mode:

ali-Q is calibrated to perform within the following performance specifications, under controlled environmental conditions with Grade 3 Purified water:

With **Wobble-not™** serological pipet (any size):

Volume	Accuracy	Precision (CV%)
5.0 mL	2%	1%
0.5 mL	2%	2%

With any other brand of serological pipet (any size):

Volume	Accuracy	Precision (CV%)
5.0 mL	3%	2%
0.5 mL	4%	3%

Dimensions: 7.2" x 7.0" x 2.2" (18.3 cm x 17.8 cm x 5.6 cm)

Weight: 340g

Volume Capacity: Accepts 1 to 100 mL serological pipets

Pipet Compatibility: Compatible with ANY size and ANY brand serological pipet. Optimal performance when using VistaLab Wobble-not serological pipets. Not for use with Pasteur pipets.

Mains/ power supply:

Input Voltage = 100-240 VAC

Frequency = 50-60 Hz

Input Current = 190-320 mA

Output Voltage = 5V

Output Current = 2 A

Rechargeable Battery:

Type = Lithium-Polymer

Voltage = 3.7V

Capacity = 1100 mAh

Charging Time = ~ 3 hr

Number of Dispenses = ~2000 dispenses (with a 25mL pipet)

Ambient Conditions:

Ambience = For indoor use only

Ambient Temperature = 15 - 40°C

Relative Humidity = 10% - 95%, non-condensing

Atmospheric pressure = 70 – 106 kPa (525 - 795 mmHg)

Troubleshooting

Problem	Possible Cause	Suggested Fix
Slow aspiration	<ul style="list-style-type: none"> - Membrane filter clogged - Not enough force on aspirate button 	<ul style="list-style-type: none"> - Replace membrane filter - Press aspirate button with more force to increase aspirate speed
Aspirating air bubbles	<ul style="list-style-type: none"> - Pipet tip not fully immersed in liquid while aspirating. - Pipet not fully inserted into nozzle insert - Aspirating too fast for solution (ex: detergents) 	<ul style="list-style-type: none"> - Make sure pipet tip is fully immersed in liquid throughout aspiration - Insert pipet more - Lightly press the aspirate button to slow aspirate speed
Pipet drips liquid	<ul style="list-style-type: none"> - Pipet not fully inserted into nozzle insert - Crack in serological pipet - Membrane filter clogged - Membrane filter not properly positioned or upside down - Nozzle insert worn or damaged - Valve not shutting properly 	<ul style="list-style-type: none"> - Try Wobble-not low insertion force, less-drip pipets - Get a new pipet - Replace membrane filter - Insert filter properly - Replace nozzle insert - Send ali-Q in for repair service
Pipet does not stay in ali-Q	<ul style="list-style-type: none"> - Nozzle insert worn or damaged 	<ul style="list-style-type: none"> - Replace nozzle insert <p>NOTE: Using Wobble-not pipets will significantly decrease damage to the nozzle insert.</p>
Out-of-Calibration	<ul style="list-style-type: none"> - Using different equipment, different density liquid, varying environmental conditions, - Membrane filter clogged 	<ul style="list-style-type: none"> - Adjust the aliquot volume-set dial up or down depending on measured results (p 14) to compensate - Replace membrane filter
Motor makes alert sound when dispensing aliquots	<ul style="list-style-type: none"> - Not holding down aliquot button long enough 	<ul style="list-style-type: none"> - HOLD aliquot button until GREEN LED light turns off and motor starts (you will hear and feel motor)
LED blinks or does not light up when connected to charger	<ul style="list-style-type: none"> - Battery not properly installed - Wrong Power supply - Battery / Power supply damaged - Instrument defective 	<ul style="list-style-type: none"> - Firmly push in battery connector - Only use Power supply Cat. #9020-9005 - Replace battery/ replace Power supply - Send ali-Q in for repair service
Battery does not hold charge	<ul style="list-style-type: none"> - Charger not inserted fully - Battery defective or drained 	<ul style="list-style-type: none"> - Check charger connection. Replace charging cord - Replace battery
Instrument doesn't work	<ul style="list-style-type: none"> - Dead battery - Internal software malfunction 	<ul style="list-style-type: none"> - Recharge battery - Restart unit by unplugging battery for 10 seconds and plug battery back in.

If problem still occurs, contact VistaLab Technical Support at (914) 244- 4068 or techservice@vistalab.com

Maintenance

www.vistalab.com/services

Routine Maintenance: ali-Q will require minimal, if any, maintenance, if used as intended. VistaLab recommends performing routine maintenance and calibration verification at least once a year. Routine maintenance includes:

- Cleaning and disinfecting outer body, nozzle cover, nozzle insert and filter
- Replacing the membrane filter
- Replacing nozzle insert (as-needed)
- Aliquot mode calibration verification

Cleaning / Decontaminating:

- Chemical - Occasionally wipe outer housing of the ali-Q and the nozzle cover with a damp cloth of soapy water or diluted alcohol solutions (e.g. 70% isopropanol).

WARNING!

ALWAYS use protective gloves and eye protection. Avoid the risk of contamination!

- UV Sanitizing - The complete ali-Q unit (outer housing) can withstand typical output (254 nm wavelength) from UV sterilization lamps.

NOTE: The effects of the UV exposure will likely cause discoloration over time!

Autoclaving :

NEVER AUTOCLAVE ALI-Q!! Only the nozzle cover, nozzle insert and membrane filter can be detached from the unit and separately autoclaved at:

- 121°C (250°F); 30 psi (2 bar absolute) with a holding time of at least 15 minutes.

Replacing the Membrane Filter:

- 1 Unscrew the purple nozzle cover in the counterclockwise direction.
- 2 Remove the membrane filter.
- 3 Place new membrane filter with the thicker end facing downwards into the silicone nozzle insert and thinner end into ali-Q.
- 4 Screw the nozzle cover assembly back onto the ali-Q.

Replacing the Nozzle Insert:

- 1 Unscrew the purple nozzle cover in the counterclockwise direction.
- 2 Remove the membrane filter and silicone nozzle insert from nozzle cover.
- 3 Insert new silicone nozzle insert into nozzle cover. Place membrane filter with the thicker end inserted into the silicone nozzle insert and thinner end into ali-Q.
- 4 Screw the nozzle cover assembly back into the ali-Q.



<- Back to T.O.C.

Recharging Battery Instructions:

Only use VistaLab Lithium ion battery, (Cat #9020-4001). The battery must not be replaced by non-rechargeable or re-chargeable batteries from other manufacturers. **WARNING:** Use of other manufacturer's batteries or improper use of the instrument (e.g., short-circuit, mechanical damage, overheating, etc.) may cause the battery to explode.

Charge time = approx. 3 hours (from 0% to 100% battery)

Battery life = approx. 40 hours (dependent on frequency and intensity of use)

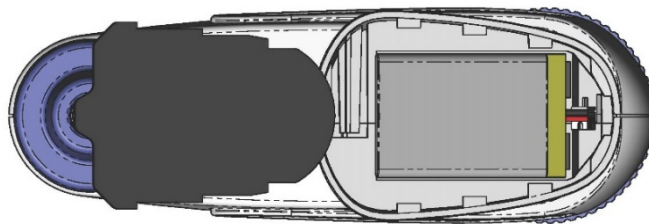
Conditions for recharging = 0°C to 40°C (32°F to 104°F)
20% to 80% Relative Humidity

Recharging Procedure:

- 1 Attach the proper outlet adapter to the power supply pack and insert into wall outlet.
- 2 Attach the wide end of the Micro USB charging cord to the power supply pack.
- 3 Plug the Micro USB end of the charging cord into the charging port of the ali-Q (under the aliquot volume set dial). ali-Q can still be used when plugged into charger.

Replacing the Battery:

- 1 Open battery compartment. On the bottom of the ali-Q, press the tab then slide the battery cover forward and remove.
- 2 Remove battery. Grip the battery plug by the red and black wire and gently pull out of the white connector.
- 3 Replace battery - Plug new battery into connector until it snaps-in and insert battery into compartment. Slide battery cover back into place. Be sure the tab pops back up and battery cover is securely in place.



<- Back to T.O.C.

Calibration

ali-Q's **aliquot mode** volume delivery is factory calibrated to aliquot the volume set on the aliquot volume-set dial to the factory specs (see *Technical Specifications, next page*) in a state-of-the-art ISO 17025 accredited calibration lab under the following conditions:

- Temperature: 20°C - 22°C (68°F - 71.6°F)
- Relative humidity: 45% - 75%
- Using **Wobble-not** 25mL serological pipet (Cat. #4090-0025)
- Using ISO 3696 Grade 3 purified water

NOTE: Using ali-Q with different liquids more/ less dense than water, under varying environmental conditions will *slightly* affect the **accuracy** of the dispensed aliquots. However, **precision** is always maintained with the ali-Q thanks to its Intelligent Measuring System.

Calibration Verification:

VistaLab recommends sending ali-Q to VistaLab for calibration, or performing verification, at least once a year, or whenever conditions and equipment change.

In-lab Verification / Adjustment:

Users can verify the accuracy of the dispensed aliquots in four ways:

- 1 Gravimetric - Use a digital scale and water, determine the weight (in grams) of the dispensed aliquot. See the Performance Verification document for gravimetric procedure at www.vistalab.com/support
- 2 Colorimetric - Use a spectrophotometer to measure the absorbance value of diluted dye in a solvent of controlled volume. Absorbance value then converted into a volume (μL).
- 3 Visual - Use an approved graduated cylinder (Class A, To contain, calibration certified).
- 4 Visual (least reliable) - Use the volume graduations on the serological pipet as a reference of how much liquid is being dispensed.

NOTE: Most serological pipets have $\pm 2\%$ accuracy of their volume graduations, so this is the **least accurate way of verifying**.

To compensate for errors in dispensed aliquots, adjust the aliquot volume-set dial up or down to compensate for differences.

<- Back to T.O.C.

Warranty

VistaLab guarantees the functionality of ali-Q for **1 year** from the Date of Manufacture (original proof of purchase required).

VistaLab shall not be liable for the consequences of improper handling, use, servicing, operating or unauthorized repairs of the instrument or the consequences of normal wear and tear especially of wearing parts such as pistons, seals, valves and the breakage of glass as well as the failure to follow the instructions of the operating manual. We are not liable for damage resulting from any actions not described in the operating manual or if non-original spare parts or components have been used.

For warranty claims, please contact Technical Support to receive Return Authorization. Unit will be inspected for defects and repaired/replaced as necessary at the sole discretion of VistaLab. Customer will be responsible for service charges for non-warranty damage.

To validate warranty, register your ali-Q at www.vistalab.com/register-your-pipette

Send-in Service:

To send your ali-Q sent in for routine calibration and maintenance or repairs, go to www.vistalab.com/service to create a service order and pre-pay using Purchase Order or Credit Card. Follow instructions on website and email confirmation to send-in for service. Be sure to decontaminate the unit before packaging. Put ali-Q into Shipping mode for safety by holding it completely upside-down and pressing purple aliquot button (red light will blink 2X).

<- Back to T.O.C.

Ordering Information

Catalog Number	Description
2000-0005	ali-Q aliquoting pipet controller Incl power supply, wall mount, 1 spare 0.45 µm membrane filter (non-sterile), Wobble-not pipet samples (1 each; 10 mL, 25 mL, 50 mL)

Accessories and Parts:

Catalog Number	Description	Quantity
9020-4001	Replacement Rechargeable Lithium ion Battery	1/pack
9020-4002	Replacement Battery Compartment Cover	1/pack
9020-4005	Replacement Membrane Filter, 0.45 µm, non-sterile	5/pack
9020-4008	Replacement Silicone Nozzle Insert	2/pack
9020-4010	Replacement Nozzle Cover	1/pack
9020-9005	Replacement Power Supply w/Universal outlet adapters	1/pack
9020-9008	Wall Mount	1/pack

Wobble- not Serological Pipets:

Catalog Number	Description	Quantity
4090-0005	Wobble-not serological pipets, 5 mL	200/case, Individ. wrapped
4090-0010	Wobble-not serological pipets, 10 mL	200/case, Individ. wrapped
4090-0025	Wobble-not serological pipets, 25 mL	200/case, Individ. wrapped
4090-0050	Wobble-not serological pipets, 50 mL	100/case, Individ. wrapped

Distributors:

Go to www.vistalab.com/distributors to find your local distributor.

<- Back to T.O.C.

Transport, Storage and Disposal

Transport:

Before sending the ali-Q in to an authorized service center, you must **decontaminate** the controller per instructions on pg 12. Please note the following:

	Air Temperature	Relative Humidity	Atmospheric Pressure
General Transport	-20°C – +50°C	10% - 95%	30 kPa – 106 kPa
Air Freight	-5°C – +45°C	10% - 95%	30 kPa – 106 kPa

Storage:

	Air Temperature	Relative Humidity	Atmospheric Pressure
General Transport	-20°C – +50°C	10% - 95%	70 kPa – 106 kPa
Air Freight	-5°C – +45°C	10% - 95%	70 kPa – 106 kPa

Disposal:



The adjoining symbol means that storage batteries and electronic devices must be disposed of separately from household trash (mixed municipal waste) at the end of their service life.

- According to the Directive 2002/96/EC of the European parliament and of the Council on Waste Electrical Equipment (WEEE) of 27 January 2003, electronic equipment requires disposal according to the relevant national disposal regulations.
- Batteries contain substances that can have harmful effects on the environment and human health. Therefore, according to the Directive 2006/66/EC of the European Parliament and the Council on Waste Batteries of 6 September 2006 batteries require disposal according to the relevant national disposal regulations. Dispose of batteries only when completely discharged.

WARNING!

Do not short circuit battery to discharge it!

Risk of explosion and fire due to overheated rechargeable batteries. Do not heat to over 80°C and do not throw into fire.

VistaLab Technologies, Inc
2 Geneva Rd
Brewster NY, 10509
(888)652-6520
www.vistalab.com

<- Back to T.O.C.

Declaration of Conformity



VistaLab Technologies Inc. declares on its own responsibility that the devices

ali-Q aliquoting pipet controller, Model 2000-0005

comply with:

EU Directives (DoW): Date of Withdrawal	Before DoW	DoW	After DoW
Low Voltage Equipment	2006/95/EC	20.04.2016	2014/35/EU
Electromagnetic Compatibility	2004/108/EC	20.04.2016	2014/35/EU
Restriction of Hazardous Substances	2011/65/EU		
Waste Electrical and Electronic Equipment	2012/19/EU		
Battery Directive	2006/66/EC		

EU Regulations	
Registration, Evaluation, Authorization, and Restriction of Chemicals (REACH)	1907/2006
Capacity Labelling of Portable Secondary Batteries	1103/2010
Ecodesign – Power Supplies	278/2009

Standards for EU	
Safety requirements for electrical equipment for measurement, control and laboratory use- General Requirements	EN 61010-1:2010
Electrical equipment for measurement, control and laboratory use- EMC requirements	EN 61326-1:2013

Standards for Canada and USA	
Safety requirements for electrical equipment for measurement, control and laboratory use- General Requirements	CAN/CSA-C22.2 No. 61010-1
Safety requirements for electrical equipment for measurement, control and laboratory use- General Requirements	UL 61010-1
Operation is subject to the following two conditions: (1) this device may not cause harmful interference, and (2) this device must accept any interference received, including interference that may cause undesired operation.	Part 15 of the FCC Rules Class A

<- Back to T.O.C.

Jim Orcutt

President

Jeff Calhoun

Quality Manager



Copyright© 2017 VistaLab Technologies, Inc. USA. All rights reserved, including graphics and images. No part of this publication may be reproduced without prior permission of the copyright owner. VistaLab Technologies and the VistaLab Technologies logo are trademarks of VistaLab Technologies, Inc. USA. ali-Q is a trademark of VistaLab Technologies, Inc. Registered trademarks and protected trademarks are not marked in all cases with ® or ™ in this manual. U.S Patents are listed on www.vistalab.com/about/quality-management/